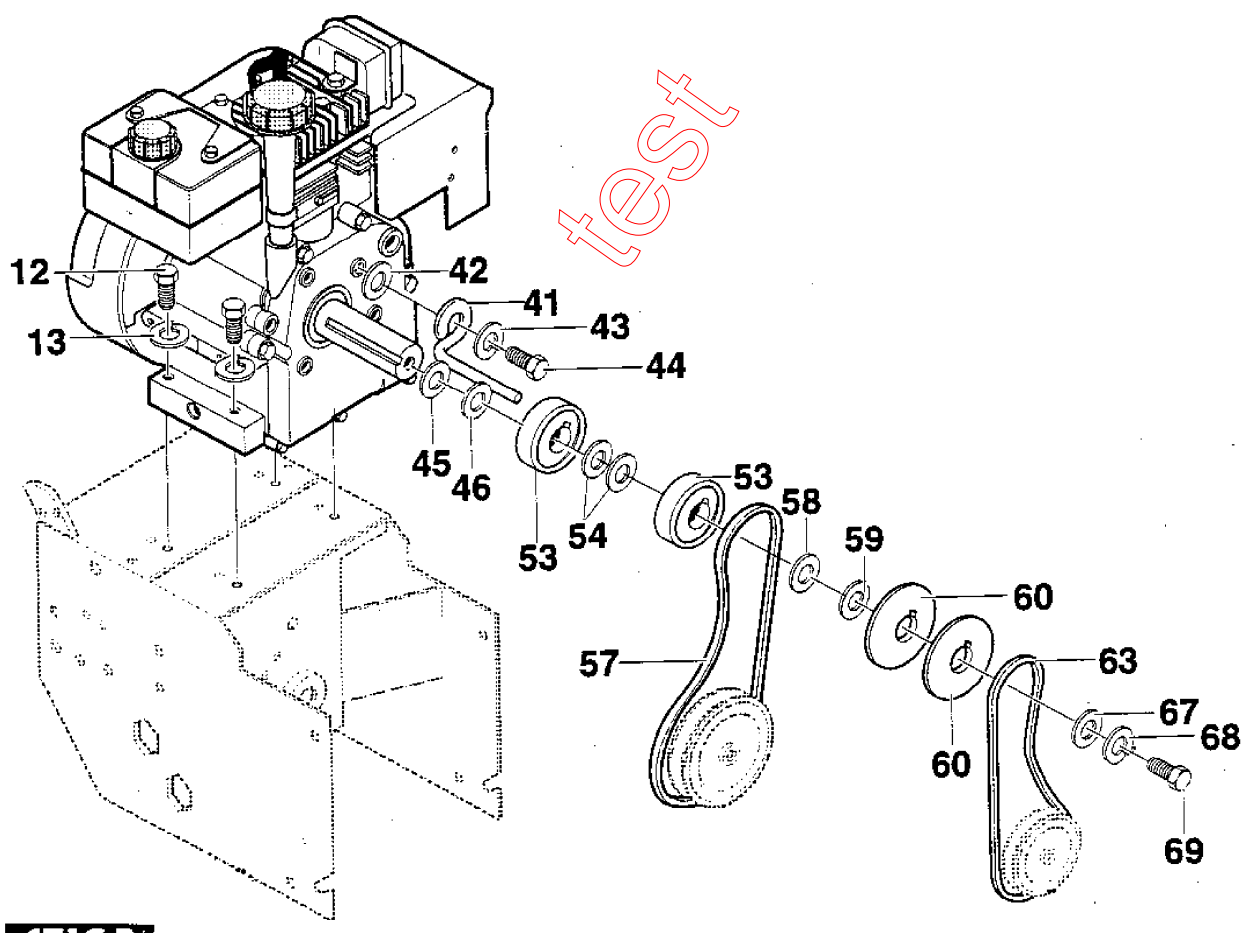
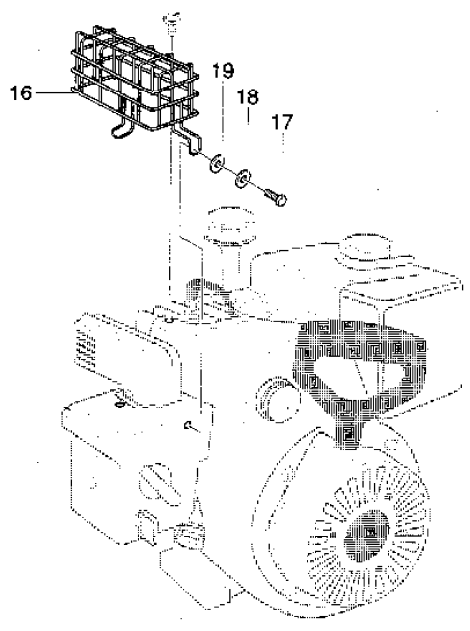
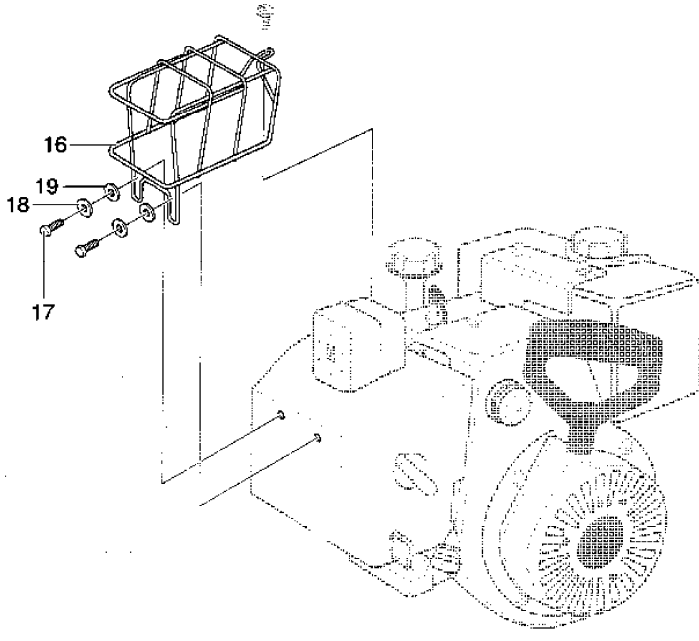


Snow Buster - Snow King

524



test



Section: 524-SNOW BUSTER- SNOW KING ENGINE BELT TRANSMISSION

Pos.	Quantity		Spare part No	Description	Kit	Notes	New
	2824	2854	2841				
12	4	4	4	9988-3638-12		Screw	
13	4	4	4	9683-0030-02		Lock washer	
16		1	1	1812-1385-01		Muffler guard	
16	1			1812-1415-01		Muffler guard	
17	2	2	2	1812-1386-01		Screw	
18	2	2	2	1812-1388-01		Washer	
19	2	2	2	1812-1387-01		Flat washer	
41	1	1	1	1812-0533-01		Belt guide	
42	1	1	1	1812-0667-01		Plastic washer	
43	1	1	1	9683-0030-02		Lock washer	
44	1	1	1	9987-5125-16		Screw	
45	1	1	1	1812-1566-01		Spacer	
46	1			1812-1561-01		Flat washer	
53	2	2	2	1812-1201-01		Traction pulley	
54	2	2	2	1812-1206-01		Pulley spacer	
57	1	1	1	1812-9016-01		Drive belt	
58	1	1	1	1812-0407-01		Washer	
59	1	1	1	1812-1350-01		Spacer	
60	2	2	2	1812-1351-01		Engine pulley	
63	1			1812-9019-01		V-belt	
63		1	1	1812-9020-01		Drive belt	
67	1	1	1	1812-0283-01		Washer	
68	1	1	1	9683-0035-02		Lock washer	
69	1	1	1	1133-0762-01		Screw	

test